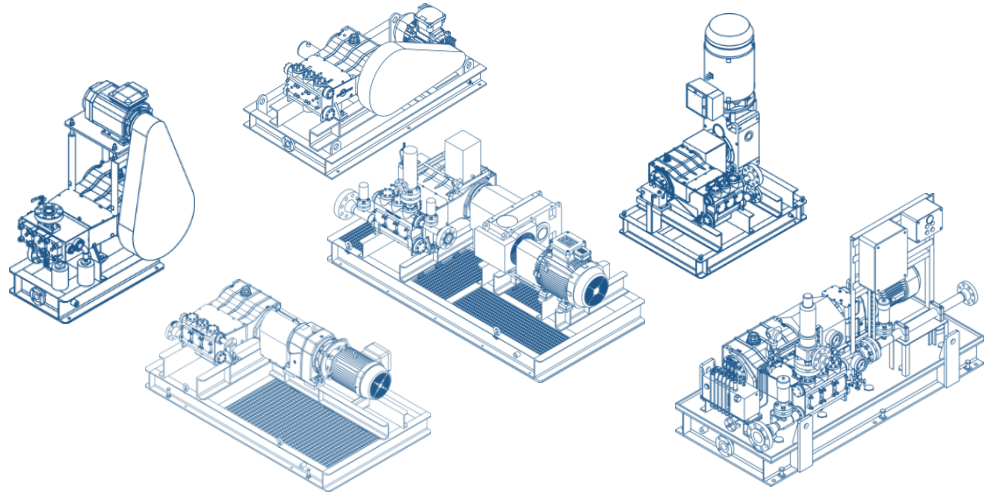


Horizontal Reciprocating Triplex Plunger Pumps acc. to API 674 (ISO 13710) & available ATEX Certified



DRIVE OPTIONS

- Gearbox
- V Belt
- Motor
- VSD Drive
- Hydraulic Motor
- Air Motor
- Diesel Engine
- Gas Engine
- Steam Turbine



RDP 50

Flows up to 6 m³/hr | 27 gpm

Fluid Head pressure rating up to 1100 bar | 15950 psi

Max RPM 450 (API)
Max Power 22.5 kW | 30 HP (Nom)

Temperature range:
-30 to 400 °C | -22 to 752 °F

Stroke 50 mm
Max Plunger Ø45mm
Suction Bore 1.5"
Discharge Bore 3/4"
Max Rod Load 2000kg

RDP 70

Flows up to 12 m³/hr | 53 gpm

Fluid Head pressure rating up to 1100 bar | 15950 psi

Max RPM 400 (API)
Max Power 50kW | 67 HP (Nom)

Temperature range:
-30 to 400°C | -22 to 752 °F

Stroke 70 mm
Max Plunger Ø55mm
Suction Bore 2"
Discharge Bore 1"
Max Rod Load 3500kg

RDP 100

Flows up to 33 m³/hr | 145 gpm

Fluid Head pressure rating up to 1100 bar | 15950 psi

Max RPM 350 (API)
Max Power 100kW | 134 HP (Nom)

Temperature range:
-30 to 400°C | -22 to 752 °F

Stroke 100 mm
Max Plunger Ø80mm
Suction Bore 4"
Discharge Bore 3"
Max Rod Load 5500kg

PERFORMANCE

APPLICATIONS

Various clean or slightly contaminated liquids in oil and gas processes
Methanol injection
Glycol circulation
Reverse osmosis
Water treatment
Water injection
Water jetting
Condensate
Closed drains pumps
Slops injection

Various clean or slightly contaminated liquids in oil and gas processes
Methanol injection
Glycol circulation
Reverse osmosis
Water treatment
Water injection
Water jetting
Boiler feed
Condensate
Closed drains pumps
Slops injection

Various clean or slightly contaminated liquids in oil and gas processes
Methanol injection
Glycol circulation
Reverse osmosis
Water jetting
Boiler feed
Condensate
Closed drains pumps
Slops injection

RDP 150

RDP 200

PERFORMANCE

Flows up to 57 m³/hr | 250 gpm

Fluid Head pressure rating up to 1100 bar | 15950 psi

Max RPM 270 (API)
Max Power 152kW | 203 HP (Nom)

Temperature range:
-30 to 400°C | -22 to 752 °F

Stroke 150 mm
Max Plunger Ø100mm
Suction Bore 6"
Discharge Bore 4"
Max Rod Load 7500kg

Flows up to 90 m³/hr | 396 gpm

Fluid Head pressure rating up to 1000 bar | 14500 psi

Max RPM 210 (API)
Max Power 315kW | 420 HP (Nom)

Temperature range:
-30 to 400°C | -22 to 752 °F

Stroke 200 mm
Max Plunger Ø120mm
Suction Bore 6"
Discharge Bore 4"
Max Rod Load 15000kg

APPLICATIONS

For large flow rates on clean or slightly contaminated liquids in oil and gas processes
Glycol circulation
Reverse osmosis
Water treatment
Boiler feed
Hydrocarbon condensate
Closed drains pumps
Slops injection

For large flow rates on clean or slightly contaminated liquids in oil and gas processes
Glycol circulation
Reverse osmosis
Water treatment
Boiler feed
Hydrocarbon condensate
Closed drains pumps
Slops injection



RUHRPUMPEN PLANTS

-  USA, Tulsa
-  MEXICO, Monterrey
-  BRAZIL, Rio De Janeiro
-  ARGENTINA, Buenos Aires
-  GERMANY, Witten
-  EGYPT, Suez
-  INDIA, Chennai
-  CHINA, Changzhou
-  UK, Lancing
-  RUSSIA, Moscow

 Manufacturing Plant & Service Center
 Service Center

Ruhrpumpen UK Ltd

22 Commerce Way, Lancing Business Park, West Sussex. BN15 8TA.
T: +44 (0)1273 956410 E: salesuk@ruhrpumpen.com



DESIGN
UK MADE
ASSEMBLY
TESTING
SPARES
TRAINING
SERVICE

