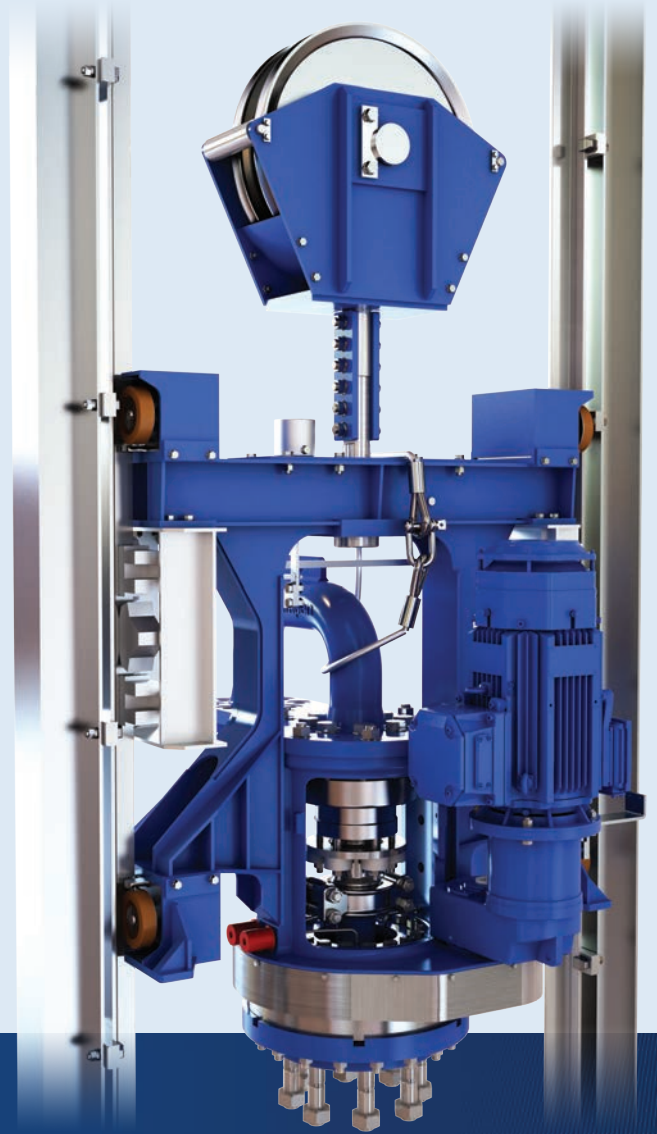




Specialist for Pumping Technology



FREE FALL ARRESTOR & CROSSHEAD REVAMP

HYDRAULIC DECOKING SYSTEMS

Hydraulic Decoking Systems

Freefall Arrestor



Ruhrpumpen has developed Freefall Arrestor retrofit designs which can most times be installed without interruption to your decoking operations.

Our designs allow for the use of your existing shoe type crosshead with modifications to accommodate our freefall arrestor and arrestor actuation linkage.

Alternately we can provide new wheeled crossheads with our freefall arrestor. This design allows for a more stable drilling platform and is easily modified to accommodate either existing rotary joint or Ruhrpumpen drill stem drive.

FEATURES

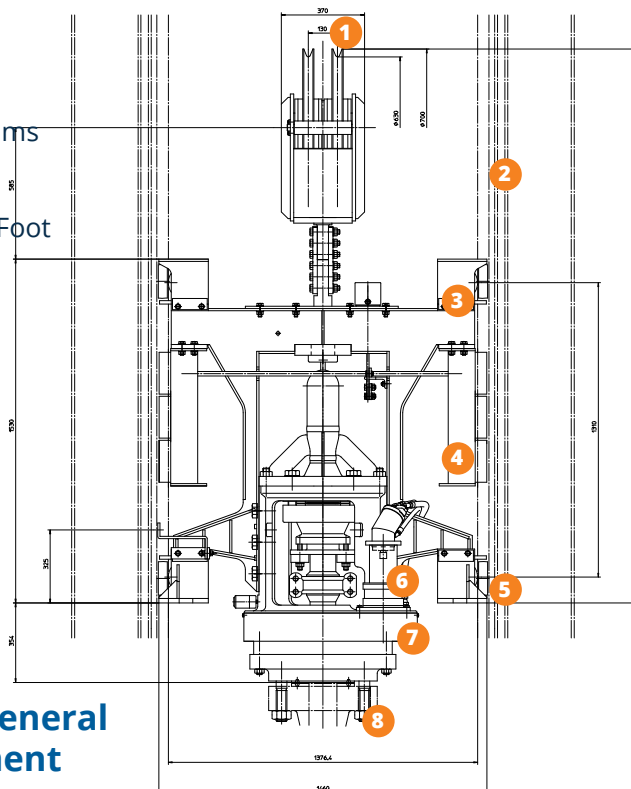
- Operational testing easily performed on a routine basis
- Arrestor cables and cable guides eliminated
- Cable grippers are eliminated
- TÜV (UL/FM equivalent approved, over 5,000 installations)

ADDITIONAL SERVICES

In addition to being able to provide freefall arrestor revamps, our Service Center in Houston, Texas, can provide parts and perform repairs for all of your system components such as combination cutting tools, rotary joints, decoking valves and isolation valves.

CHARACTERISTICS

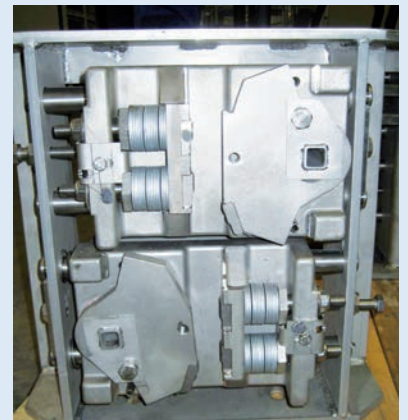
- 1 Travelling Pulley
- 2 Guide Rails / Main Beams
- 3 Roller Unit
- 4 Freefall Arrestor
- 5 Roller Unit with Latch Foot
- 6 Motor (hydraulic)
- 7 Drill Stem Drive
- 8 Drill Stem



Crosshead General Arrangement



Crosshead with freefall arrestor on installation



Freefall arrestor detail unit has to be approval with certificate for traveling weight up to 9200kg



Crosshead with freefall arrestor on testfield